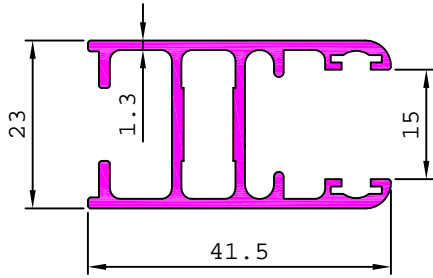


## WINDOW SECTIONS (DELUXE SERIES)

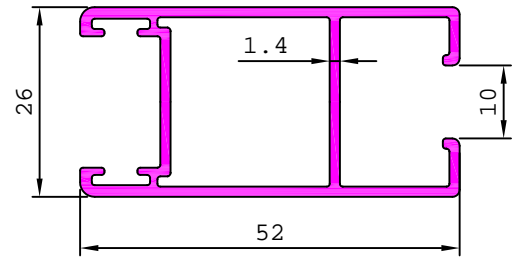
21048

0.591 kg/m



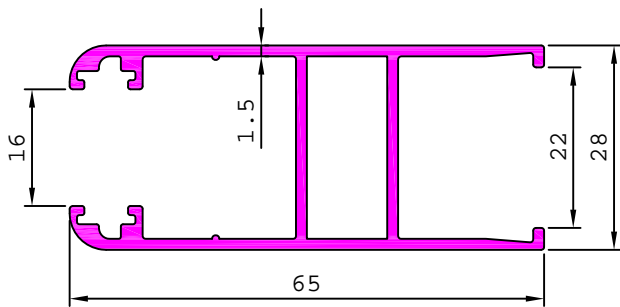
21158

0.675 kg/m



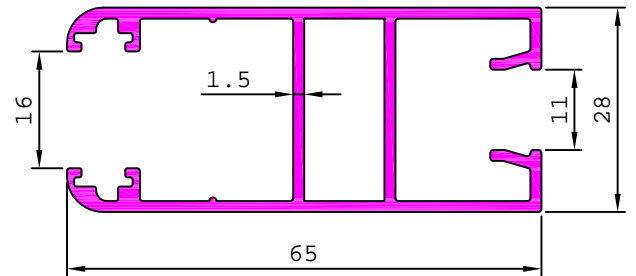
21067

0.813 kg/m



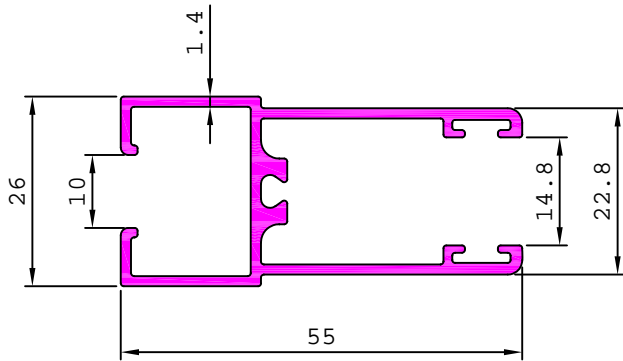
21068

0.912 kg/m



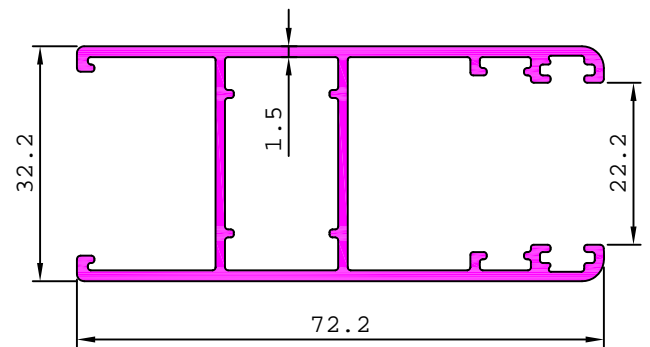
21157

0.680 kg/m



21350

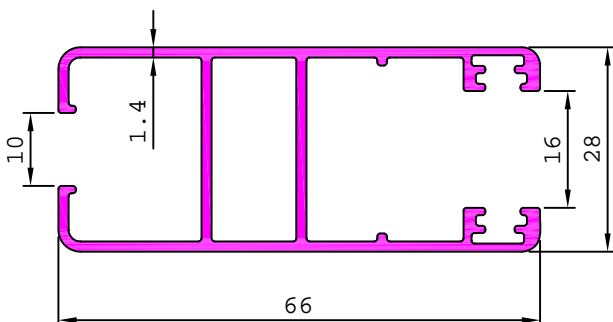
0.914 kg/m



MATCHING SECTION WITH 19479

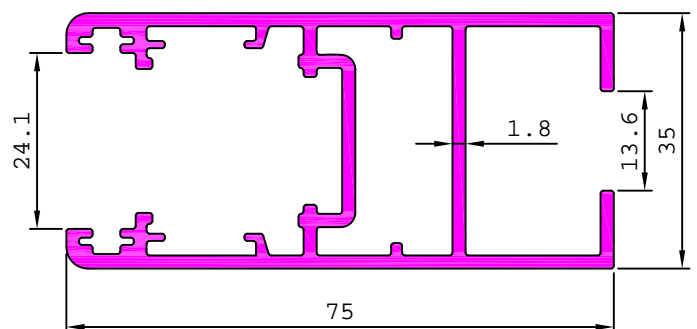
21358

0.848 kg/m



21384

1.385 kg/m

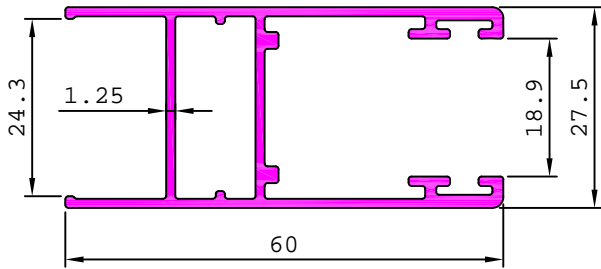


MATCHING SECTION WITH 19444

## WINDOW SECTIONS (DELUXE SERIES)

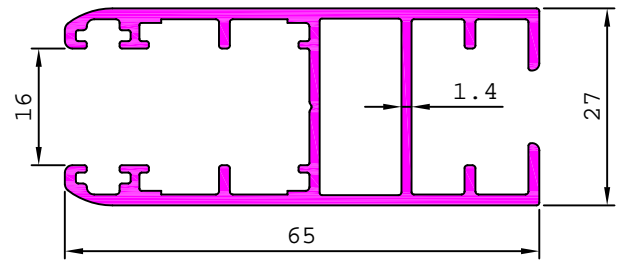
21372

0.719 kg/m



21375

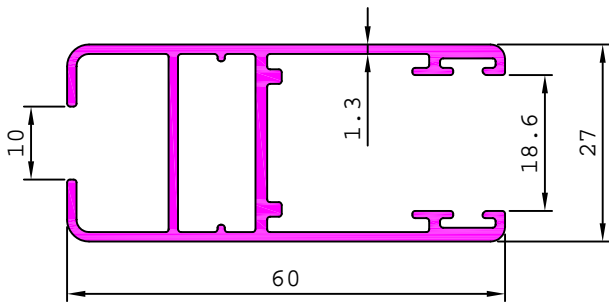
0.926 kg/m



MATCHING SECTION WITH 19435

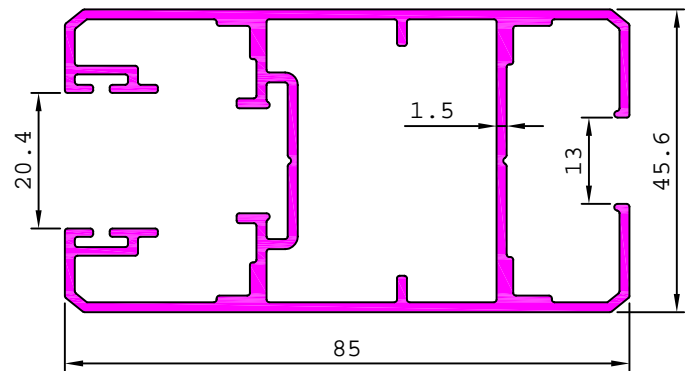
21241

0.778 kg/m



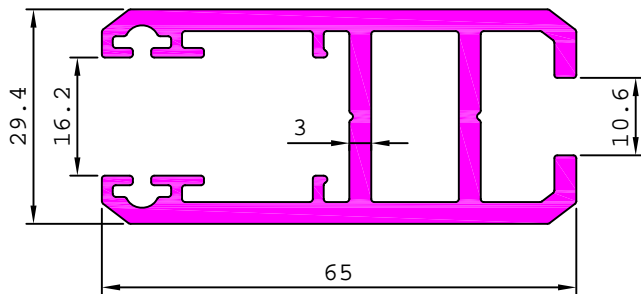
21457

1.625 kg/m



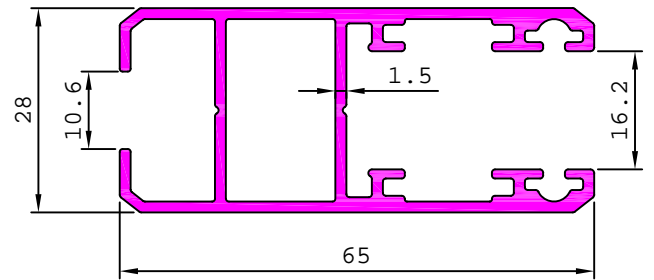
21469

1.634 kg/m



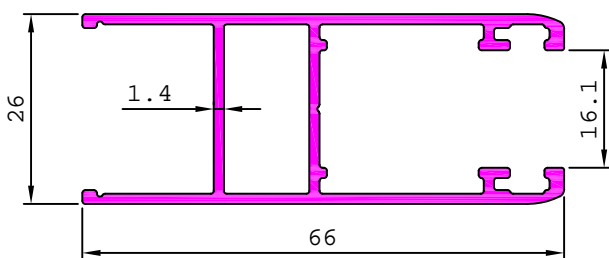
21481

1.020 kg/m



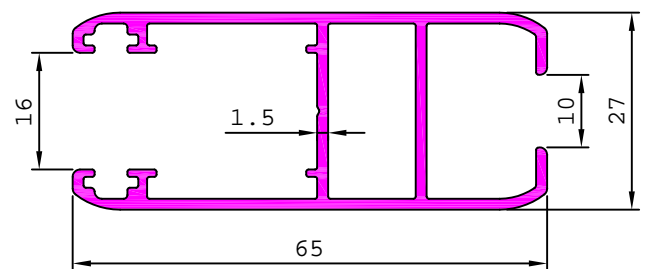
21486

0.774 kg/m



21490

0.851 kg/m

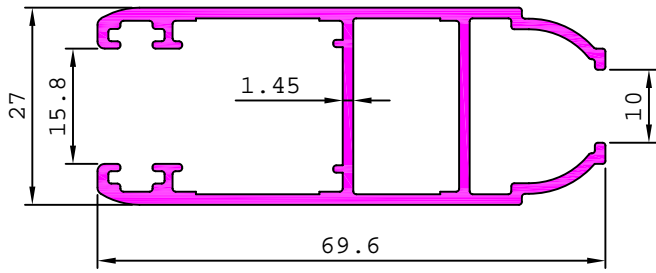


MATCHING SECTION WITH 19453

## WINDOW SECTIONS (DELUXE SERIES)

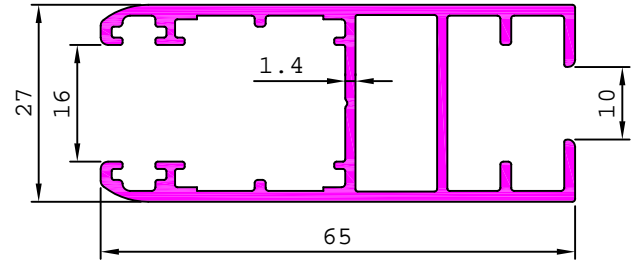
21633

0.888 kg/m



21554

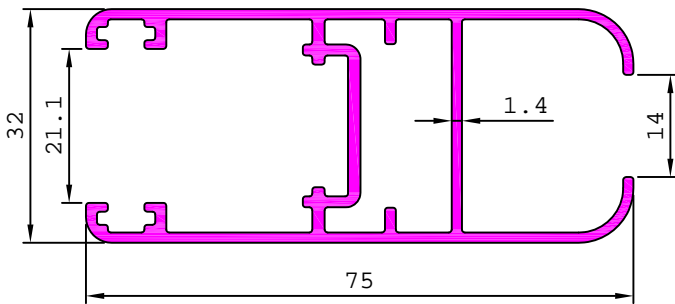
0.905 kg/m



MATCHING SECTION WITH 19435

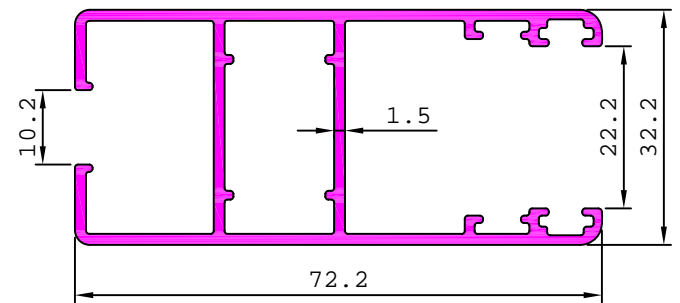
21557

1.020 kg/m



21751

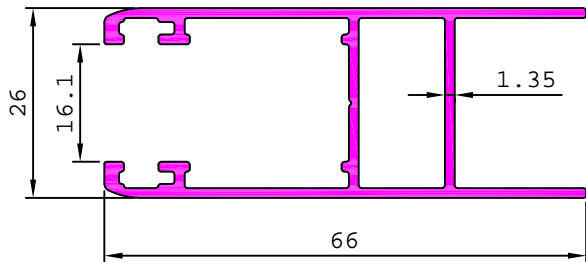
1.005 kg/m



MATCHING SECTION WITH 19481

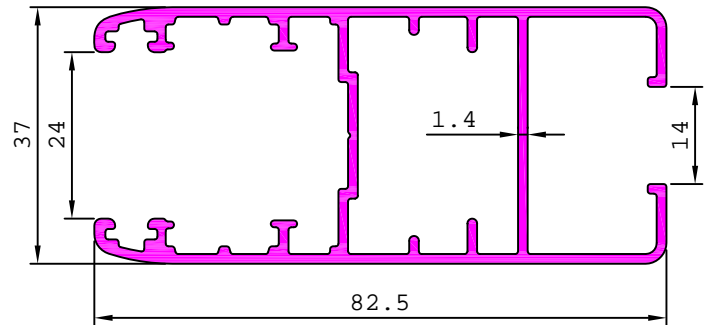
21596

0.747 kg/m



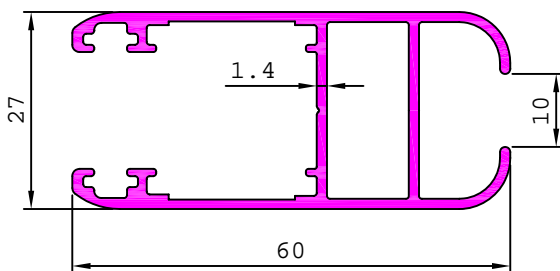
21597

1.221 kg/m



21615

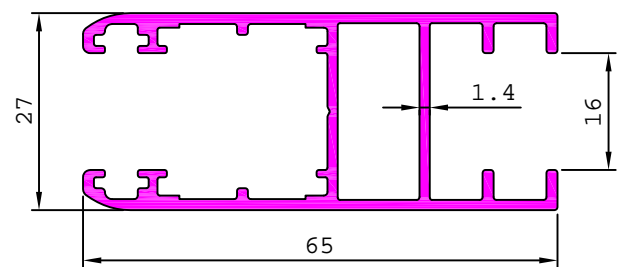
0.767 kg/m



MATCHING SECTION WITH 19467

21618

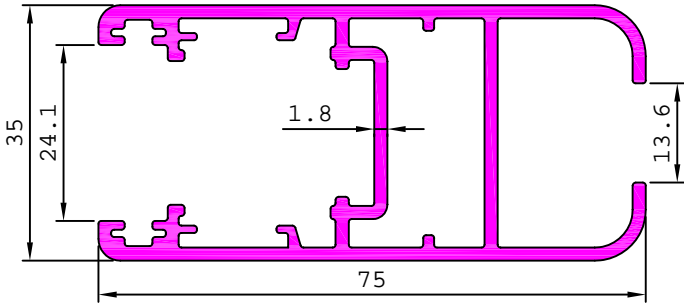
0.874 kg/m



MATCHING SECTION WITH 19435

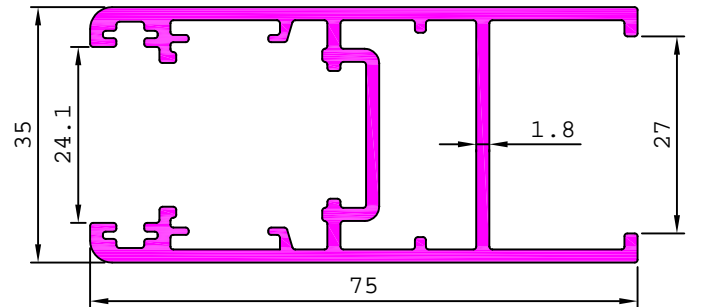
## WINDOW SECTIONS (DELUXE SERIES)

21614 1.359 kg/m



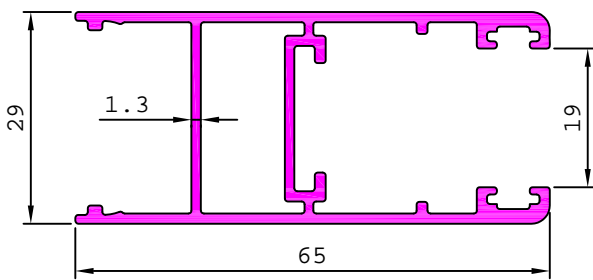
MATCHING SECTION WITH 19466

21619 1.319 kg/m

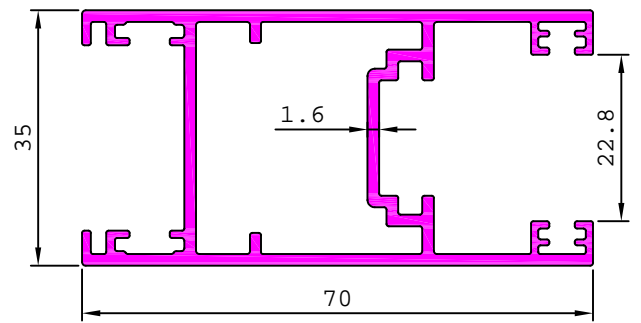


MATCHING SECTION WITH 19444

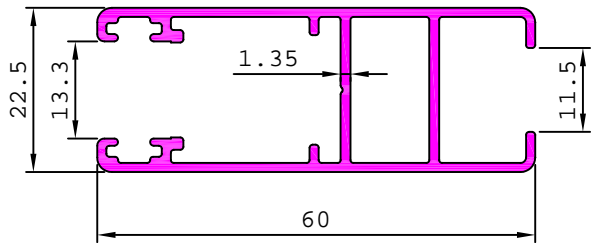
21643 0.845 kg/m



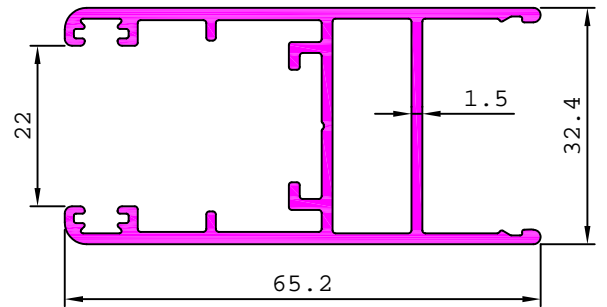
21687 1.137 kg/m



21732 0.679 kg/m

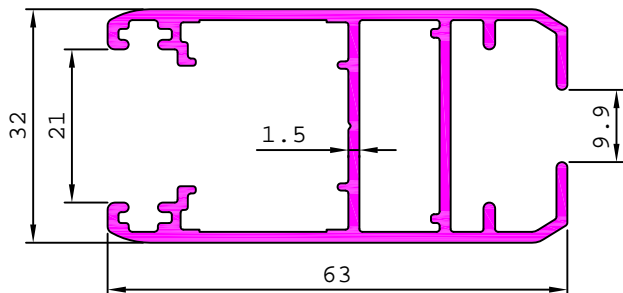


21795 0.944 kg/m



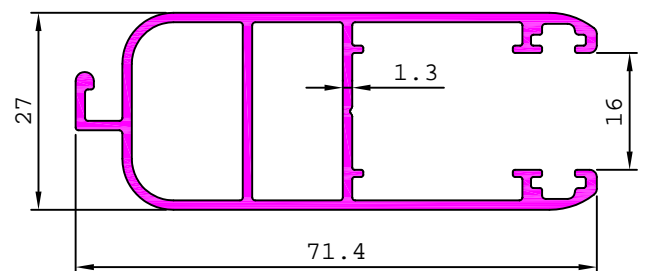
MATCHING SECTION WITH 19496

21747 0.979 kg/m



MATCHING SECTION WITH 41503, 21807 & 21808

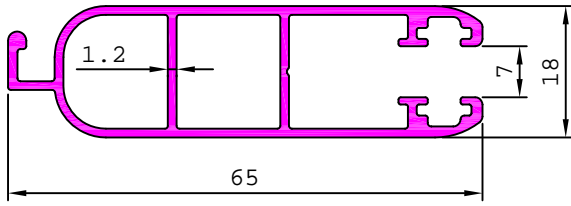
21804 0.845 kg/m



## WINDOW SECTIONS (DELUXE SERIES)

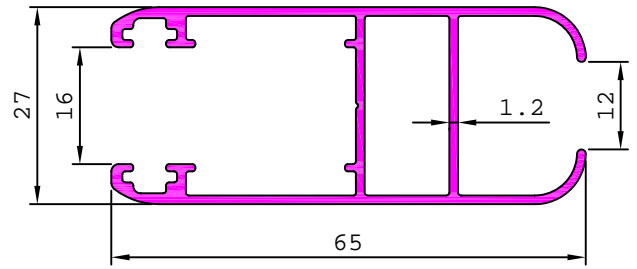
21873

0.660 kg/m



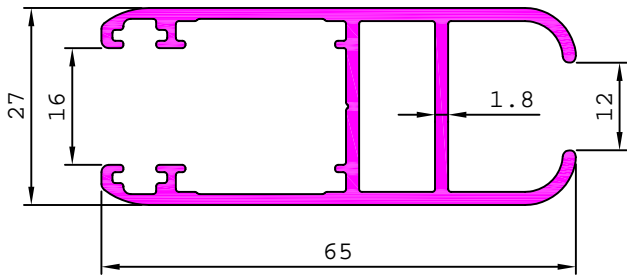
21874

0.706 kg/m



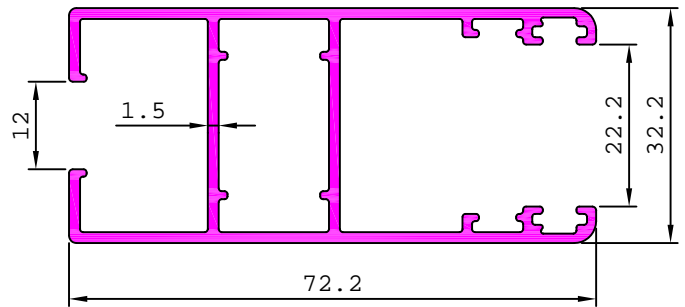
21875

0.930 kg/m



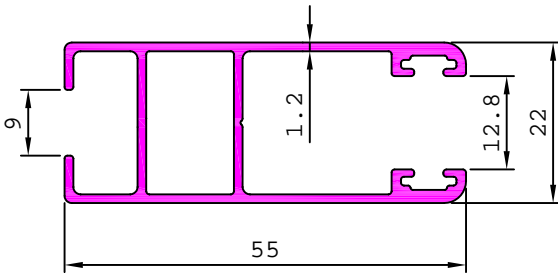
21533

0.999 kg/m



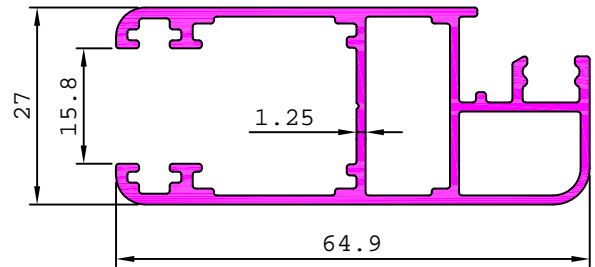
21559

0.609 kg/m



S5176

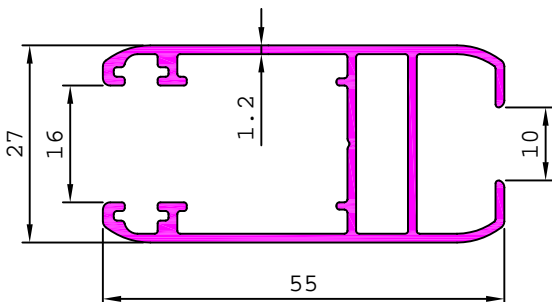
0.875 kg/m



MATCHING SECTION WITH S5177

21822

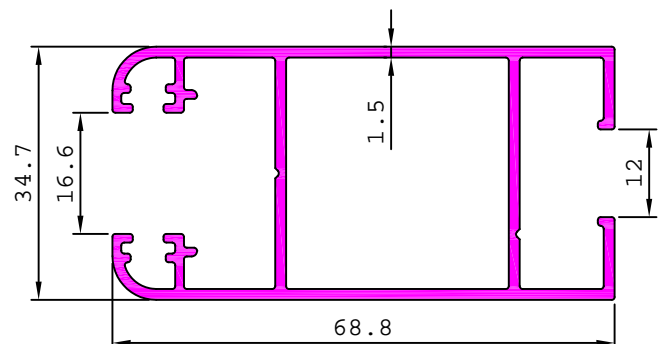
0.654 kg/m



ASSEMBLY WITH SECTION No. S5479

S5536

1.031 kg/m

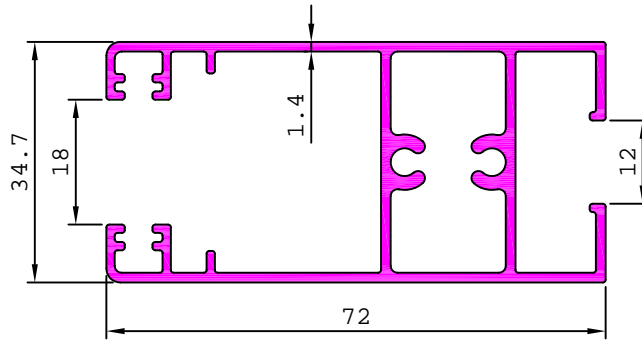


ASSEMBLY WITH SECTION No. S5533 & S5534

## WINDOW SECTIONS (DELUXE SERIES)

S5537

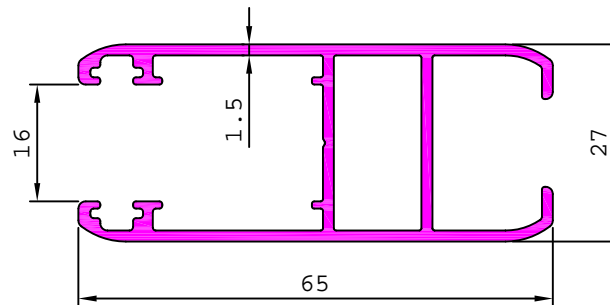
1.129 kg/m



ASSEMBLY WITH SECTION No. S5533 & S5534

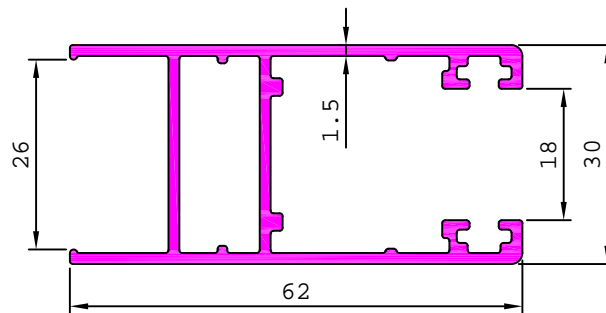
S6324

0.848 kg/m



S6171

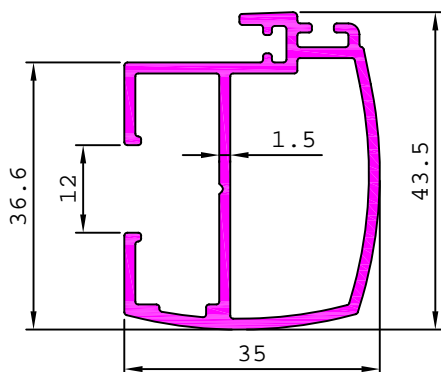
0.875 kg/m



ASSEMBLY WITH SECTION No. S6172 & S6173

S5539

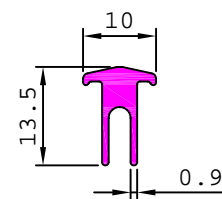
0.727 kg/m



ASSEMBLY WITH SECTION No. S5533 & S5534

S5535

0.130 kg/m

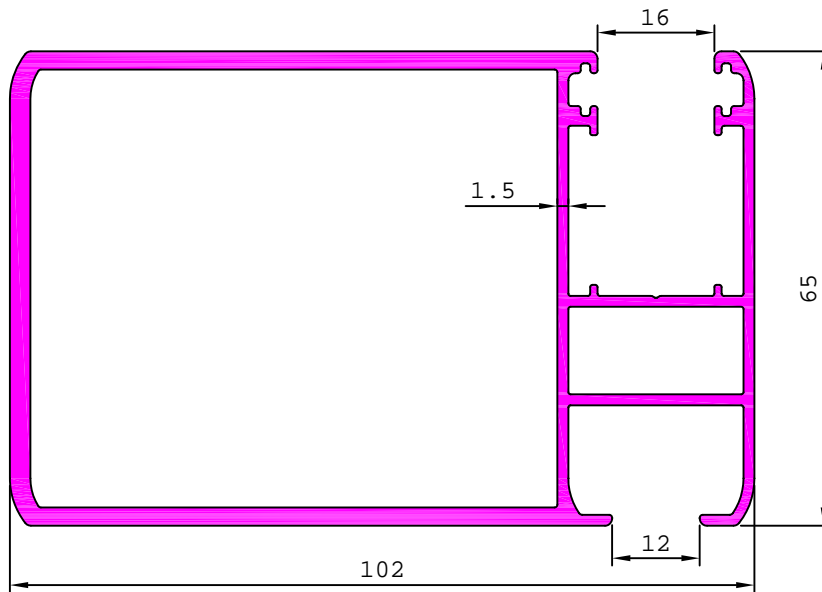


MATCHING SECTION WITH S5533 & S5534

## WINDOW SECTIONS (DELUXE SERIES)

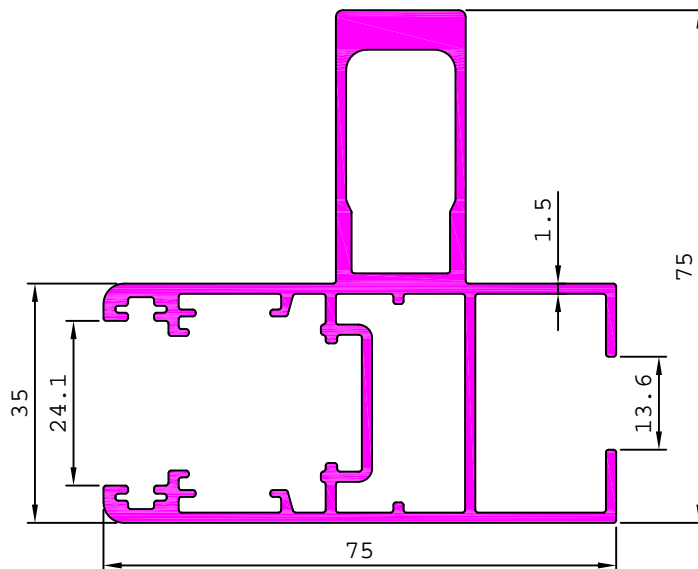
S6319

2.322 kg/m



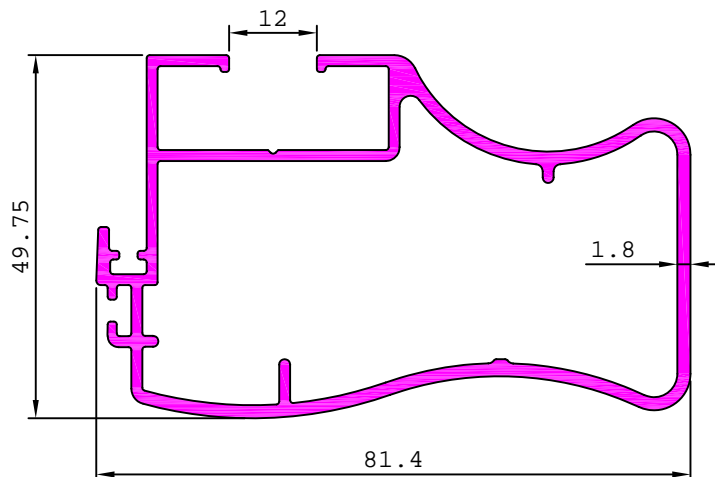
21679

1.906 kg/m



S5538

1.364 kg/m

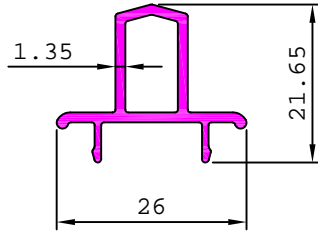


ASSEMBLY WITH SECTION No. S5533 & S5534

## WINDOW SECTIONS (DELUXE SERIES)

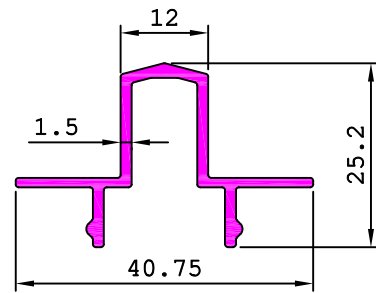
21419

0.253 kg/m



21456

0.342 kg/m

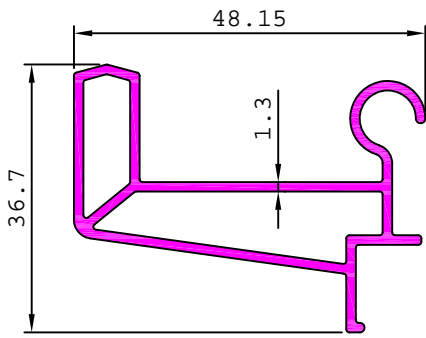




## WINDOW SECTIONS (DELUXE SERIES)

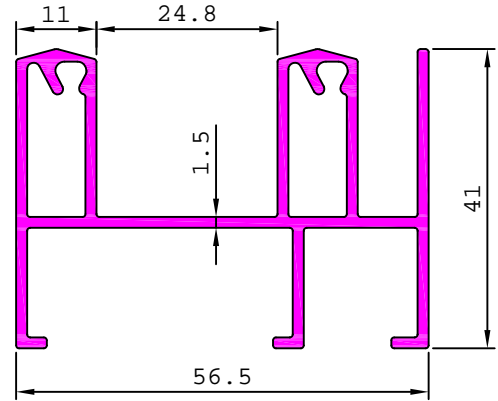
21809

0.628 kg/m



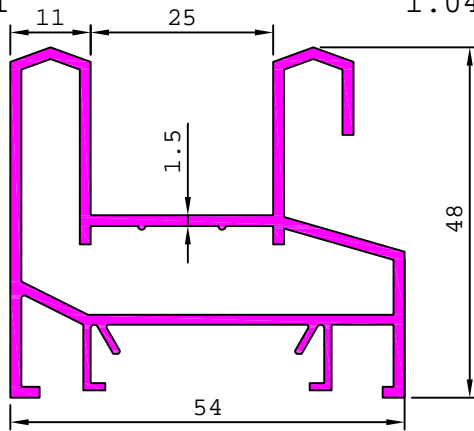
21162

1.020 kg/m



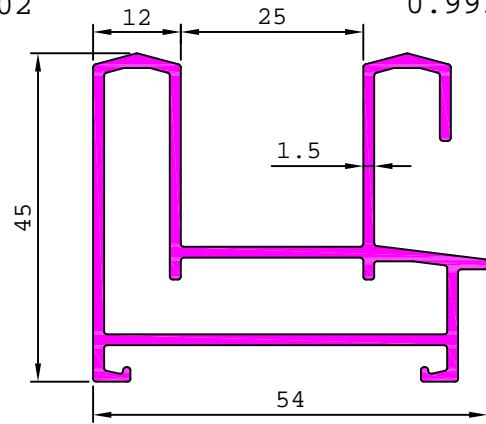
21081

1.047 kg/m



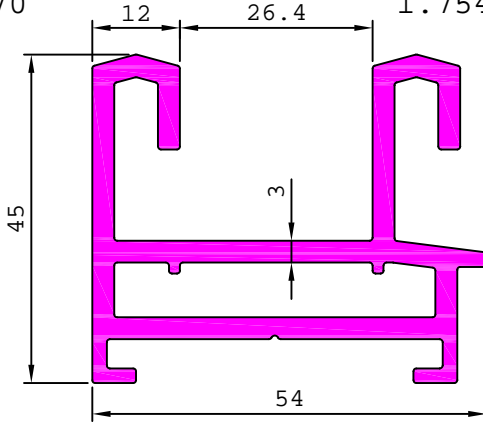
21402

0.993 kg/m



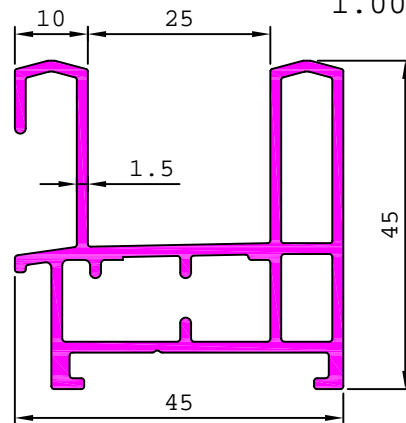
21470

1.754 kg/m



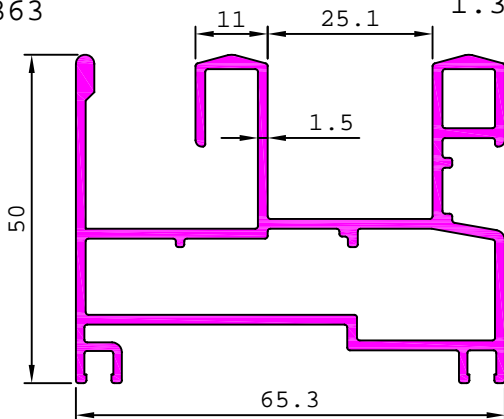
21374

1.004 kg/m



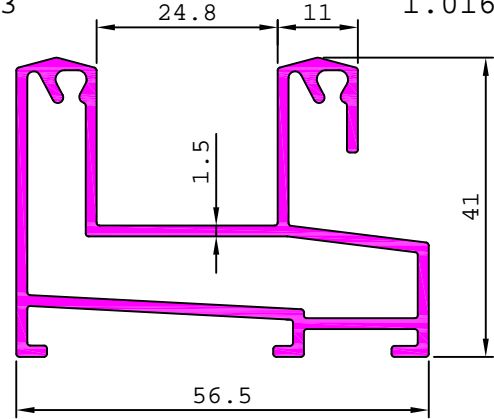
21363

1.328 kg/m

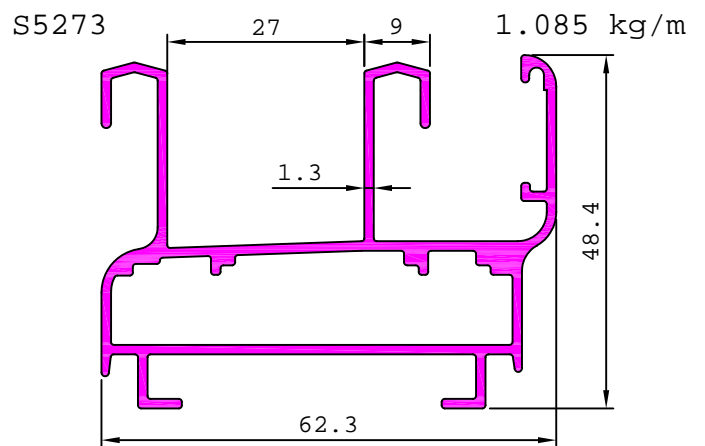
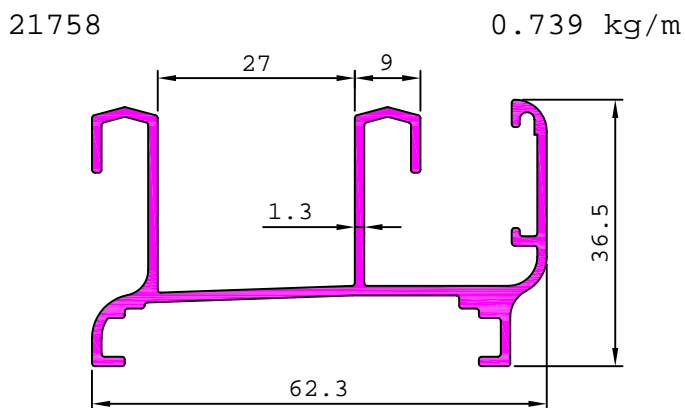
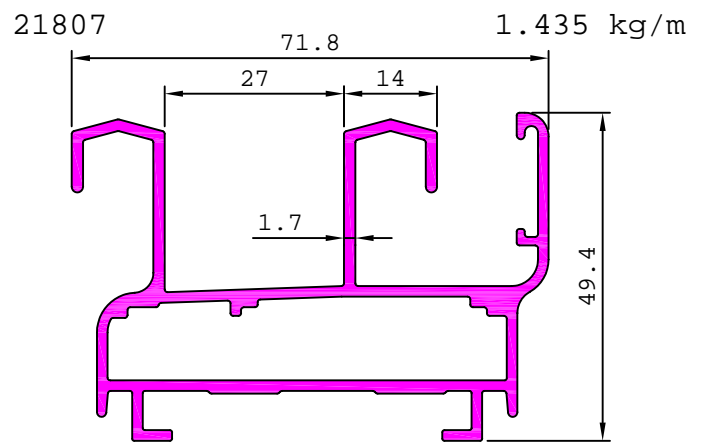
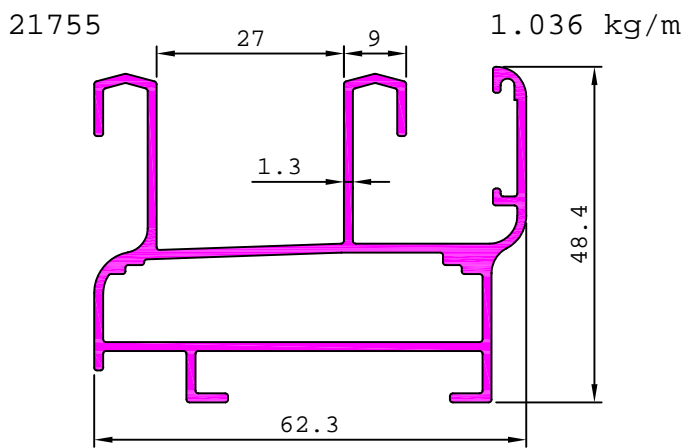
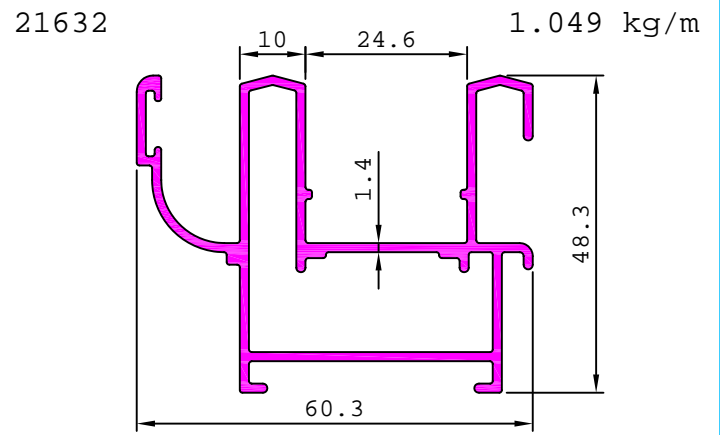
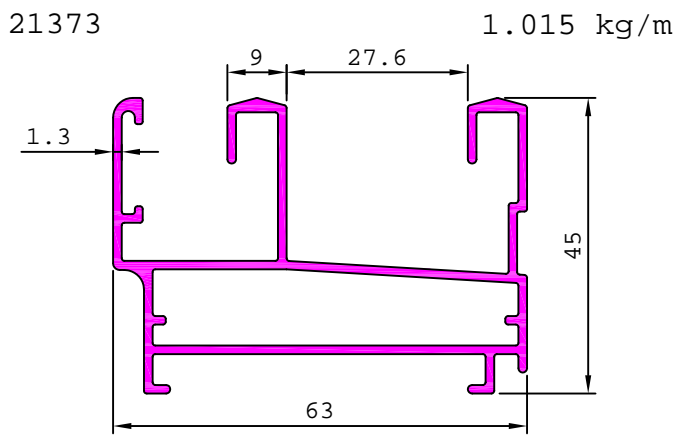
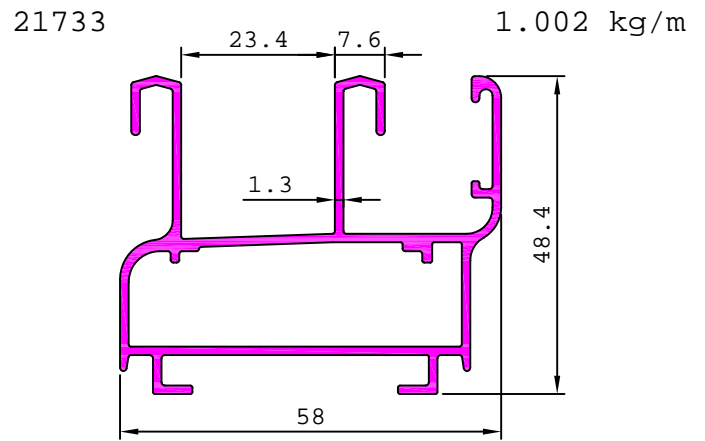
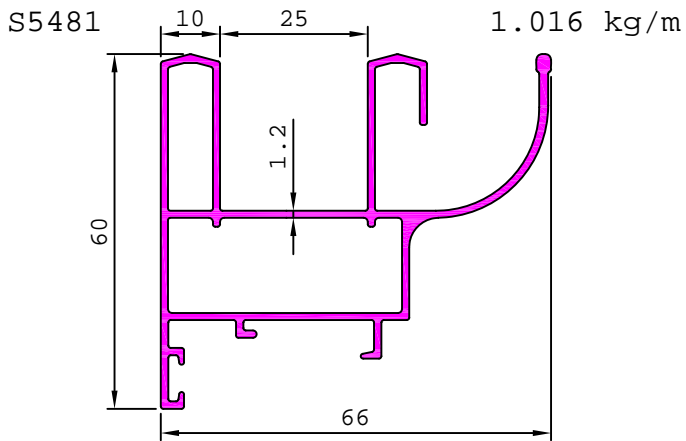


21163

1.016 kg/m

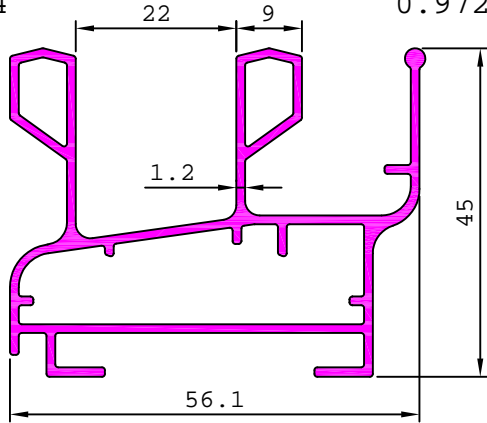


## WINDOW SECTIONS (DELUXE SERIES)

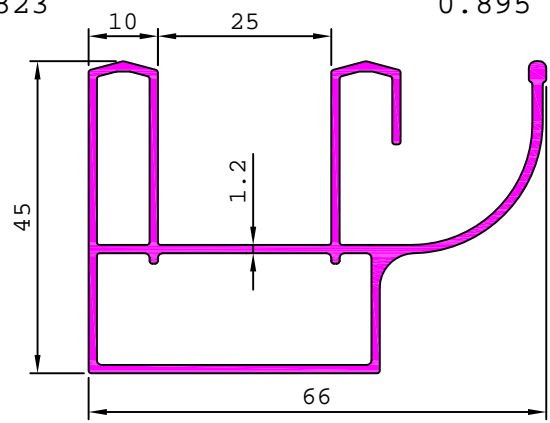


**WINDOW SECTIONS (DELUXE SERIES)**

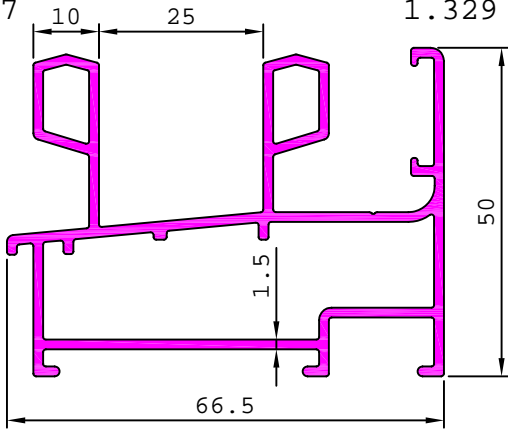
21534 0.972 kg/m



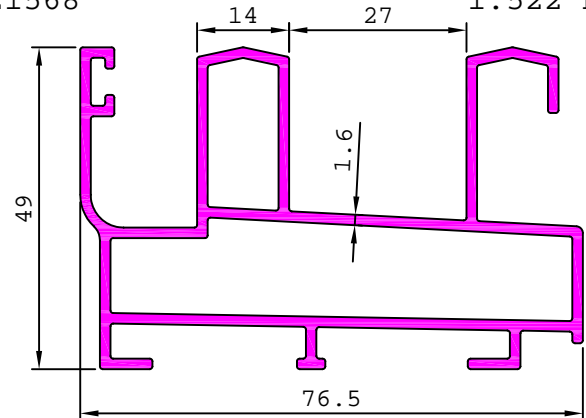
21823 0.895 kg/m



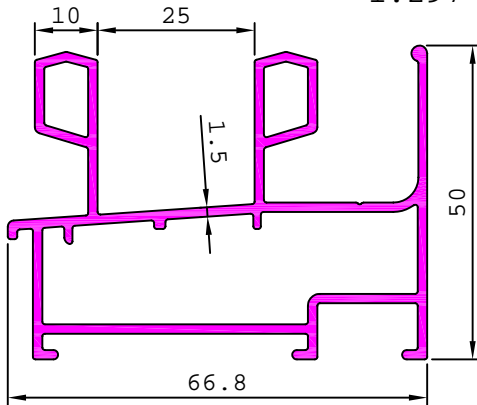
21487 1.329 kg/m



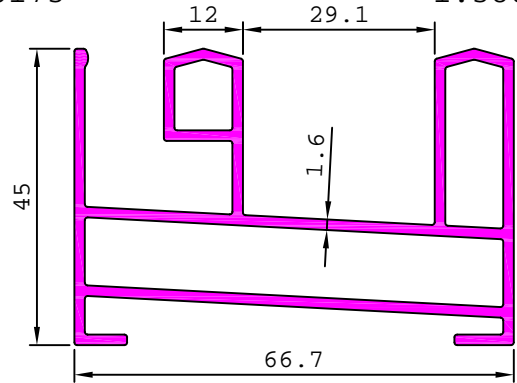
21568 1.522 kg/m



21870 1.297 kg/m

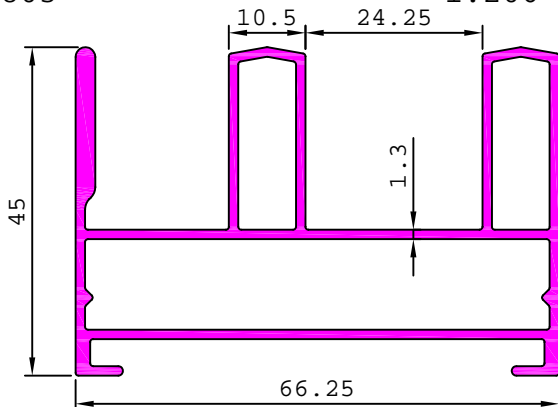


S6173 1.380 kg/m

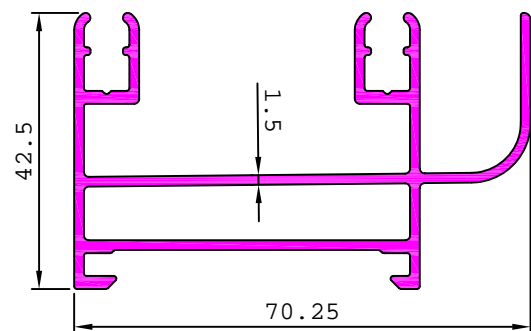


ASSEMBLY WITH SECTION No. S6172 & S6171

21803 1.206 kg/m



S5534 1.159 kg/m

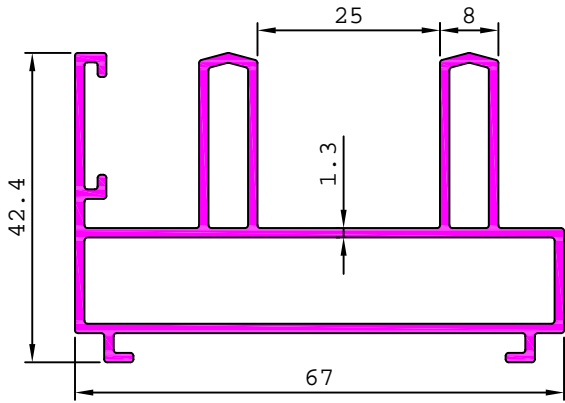


MATCHING SECTION WITH S5535

## WINDOW SECTIONS (DELUXE SERIES)

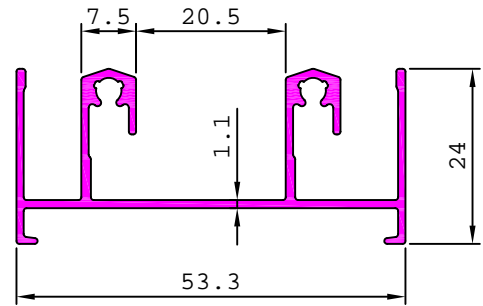
S5921

1.083 kg/m



S5461

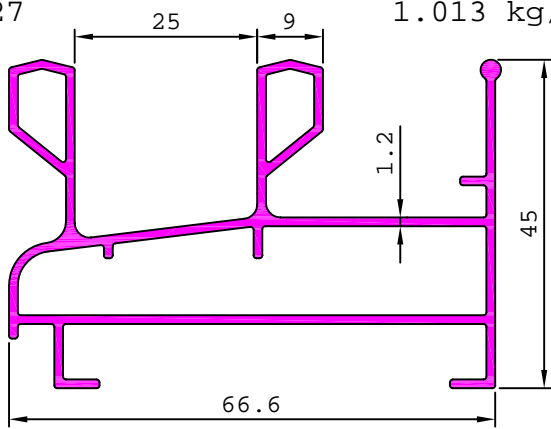
0.514 kg/m



MATCHING SECTION WITH S5457, S5458 & S5459

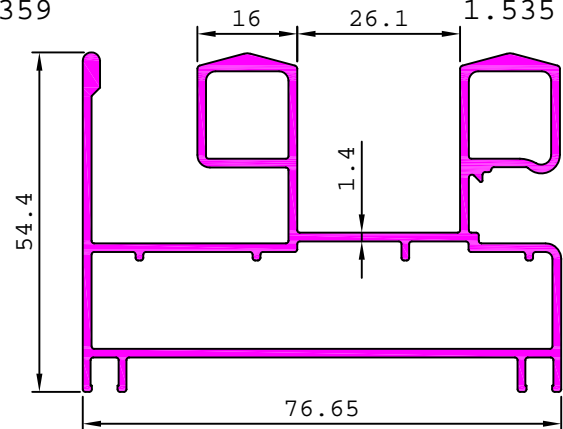
21827

1.013 kg/m



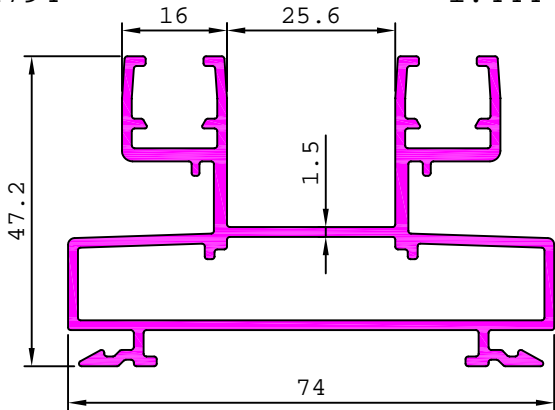
21359

1.535 kg/m



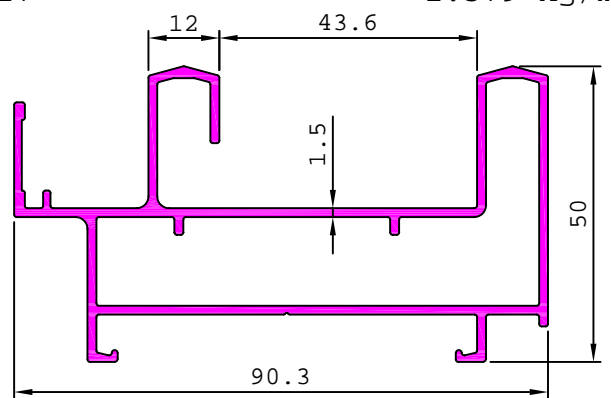
21794

1.444 kg/m



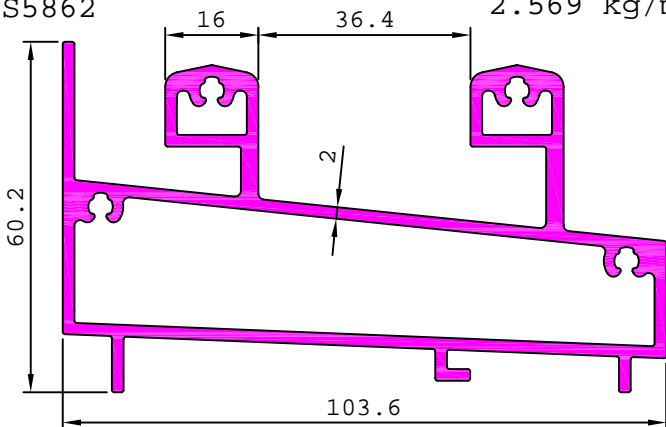
21427

1.379 kg/m



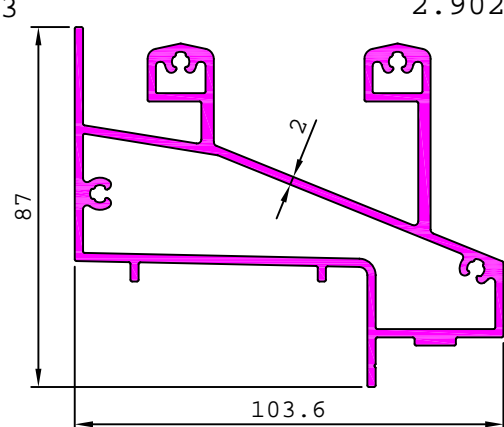
S5862

2.569 kg/m



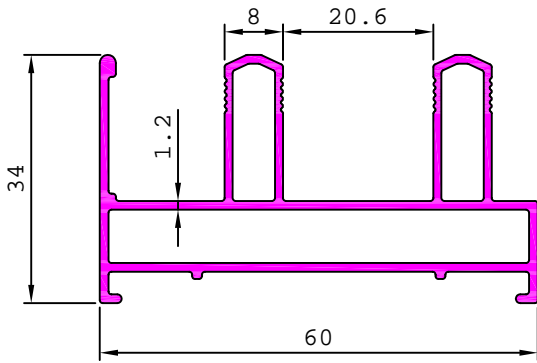
S5863

2.902 kg/m

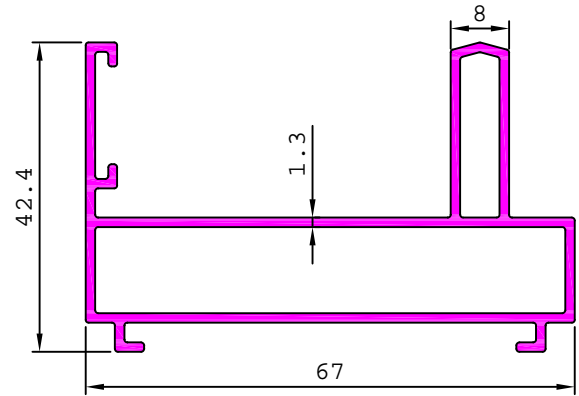


## WINDOW SECTIONS (DELUXE SERIES)

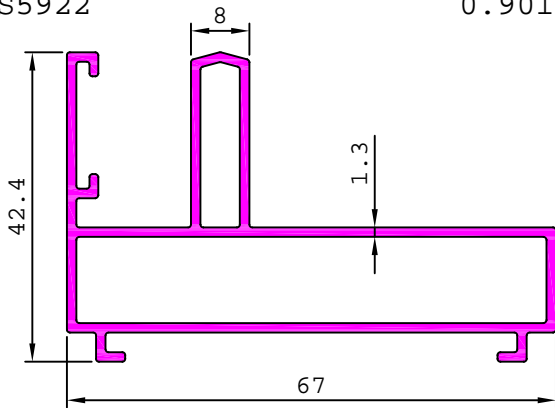
S6025 0.814 kg/m



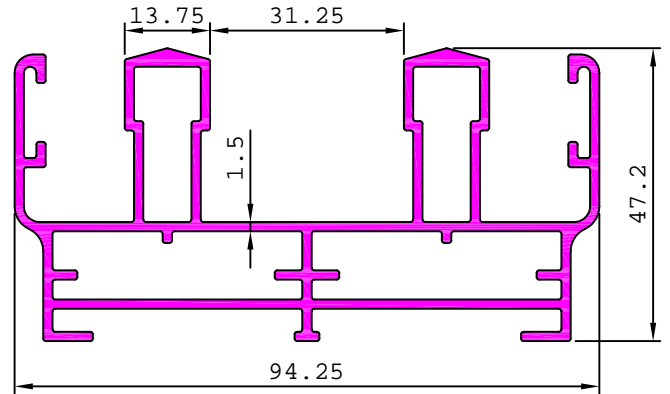
S5923 0.901 kg/m



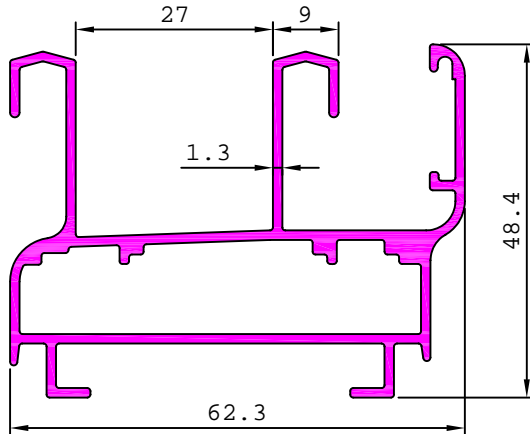
S5922 0.901 kg/m



21385 1.972 kg/m

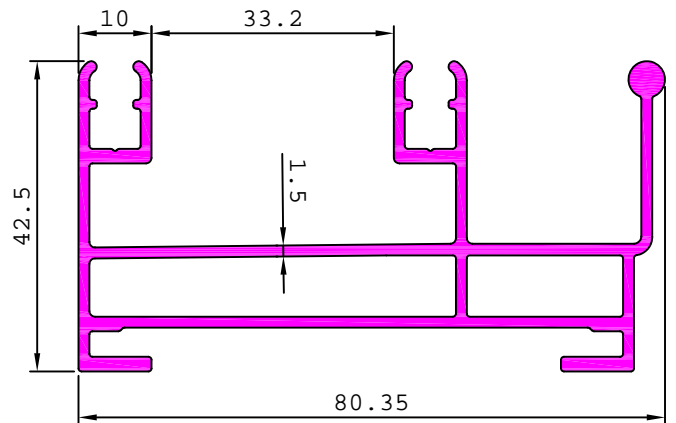


21876 1.085 kg/m

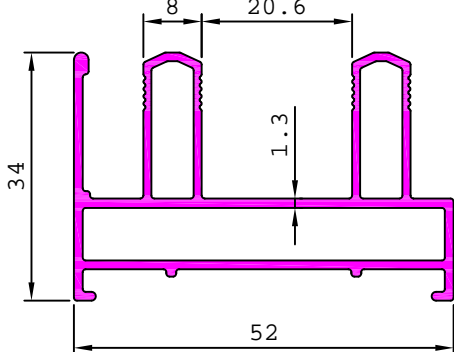


SL. No.	Section No.	A	Weight kg/m
1	21385	1.50	1.972
2	21883	1.20	1.617

S6423 1.429 kg/m



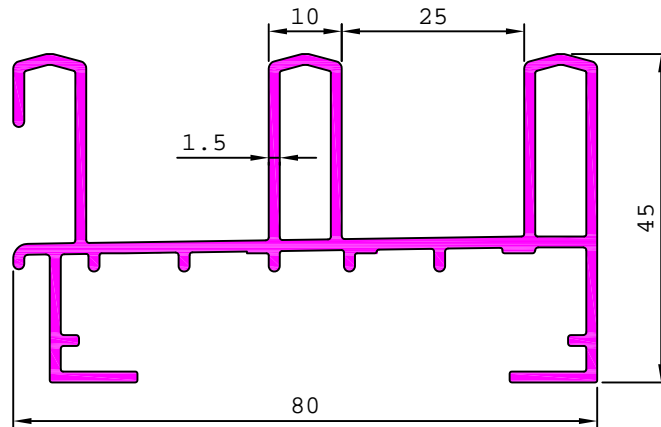
S6359 0.774 kg/m



**WINDOW SECTIONS (DELUXE SERIES)**

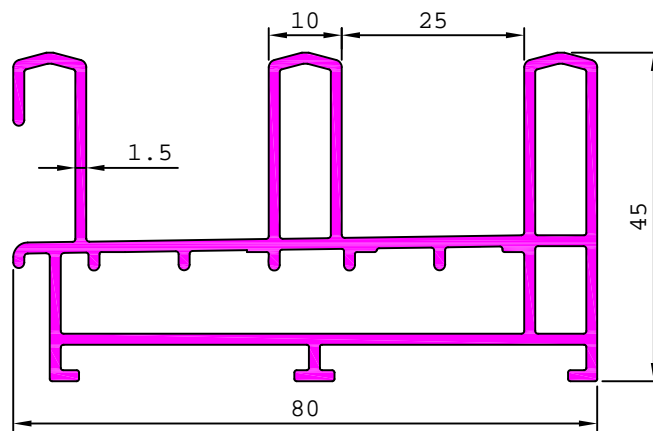
21553

1.266 kg/m



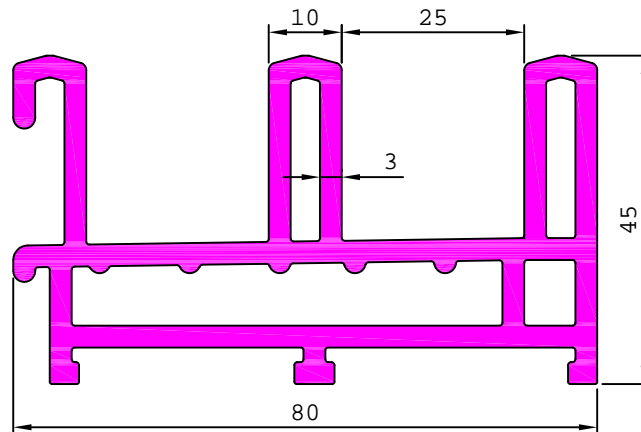
21376

1.555 kg/m



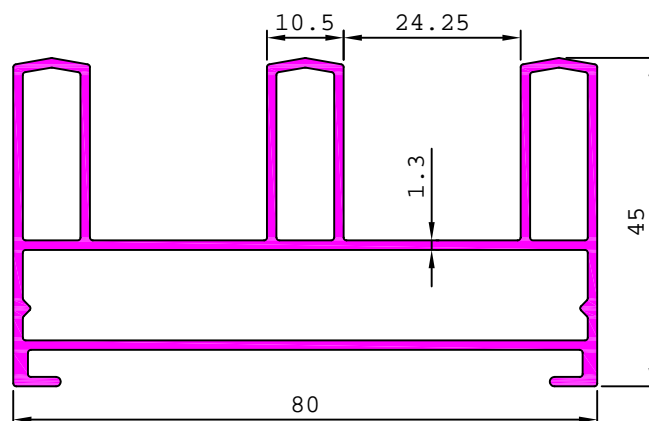
21792

2.843 kg/m



21555

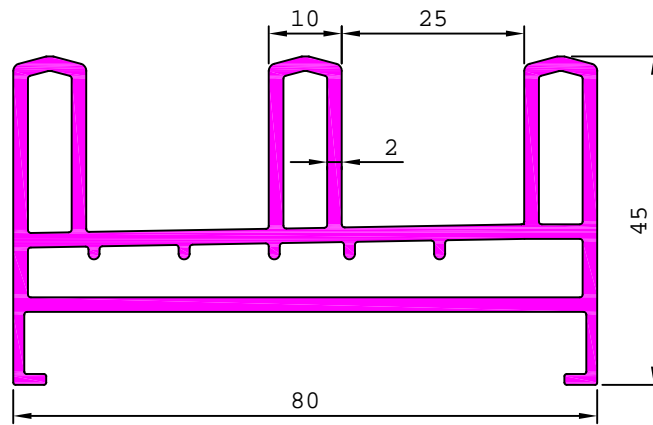
1.337 kg/m



WINDOW SECTIONS (DELUXE SERIES)

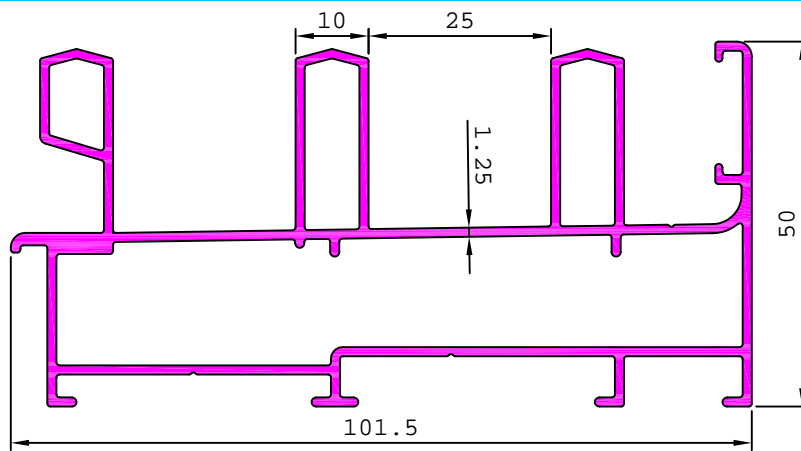
21647

1.924 kg/m



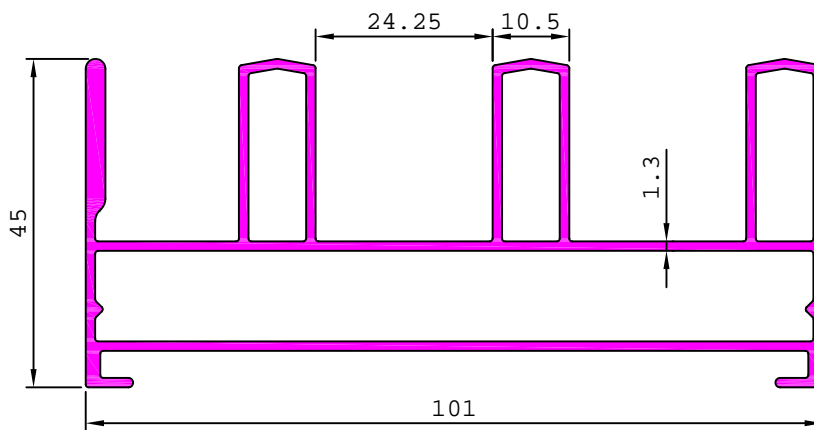
21864

1.630 kg/m



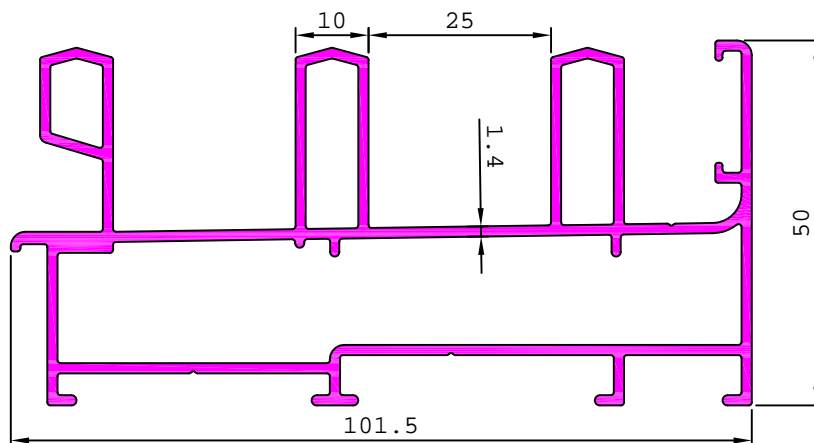
21805

1.648 kg/m



21489

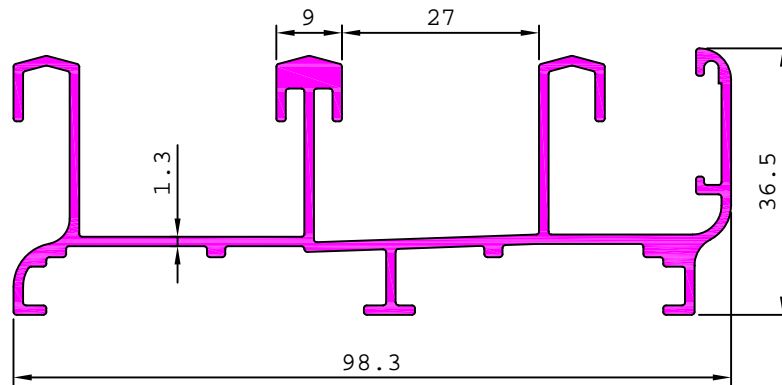
1.798 kg/m



WINDOW SECTIONS (DELUXE SERIES)

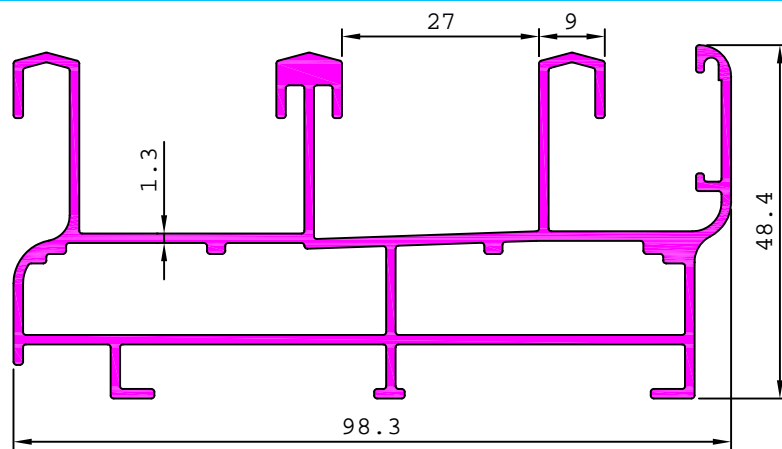
21757

1.136 kg/m



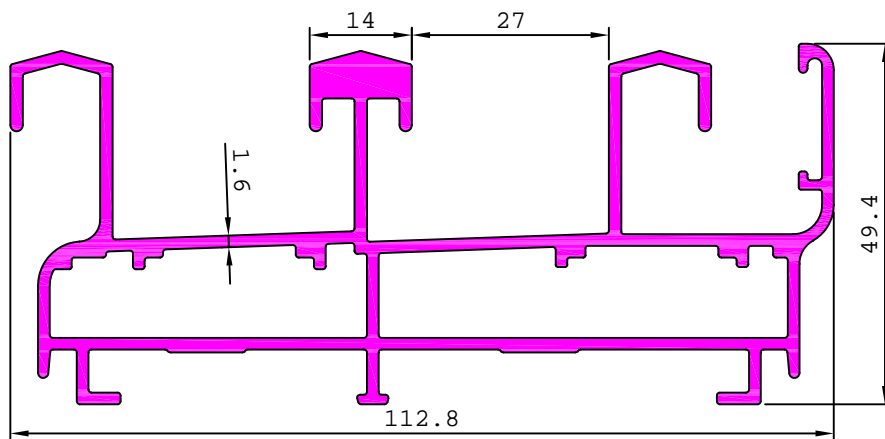
21756

1.587 kg/m



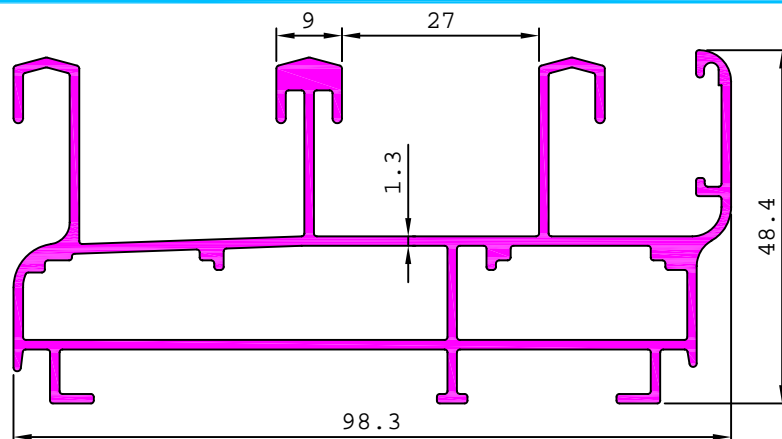
21808

2.271 kg/m



21869

1.622 kg/m

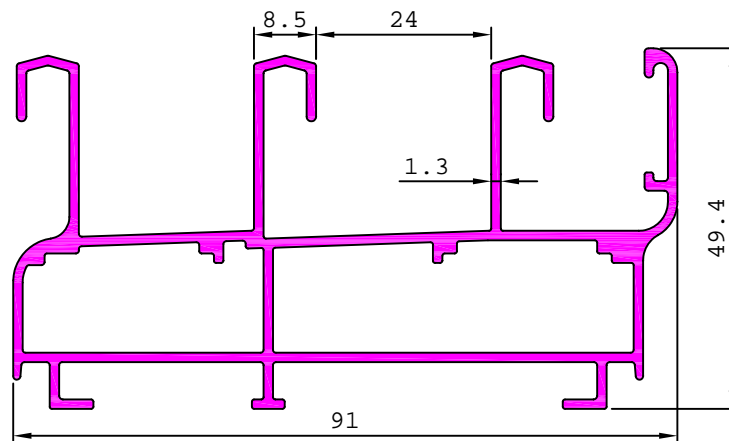




WINDOW SECTIONS (DELUXE SERIES)

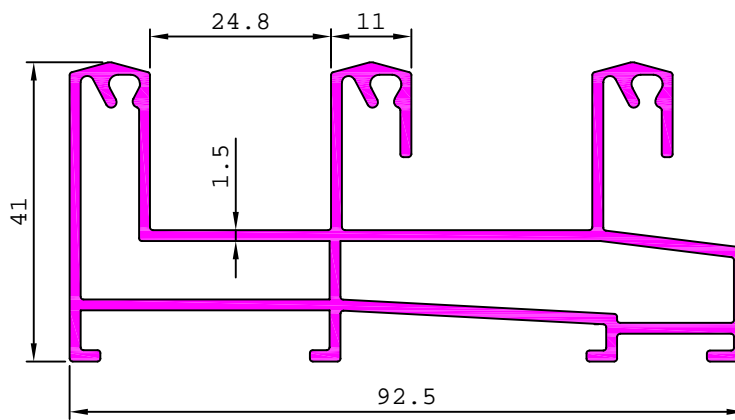
21821

1.509 kg/m



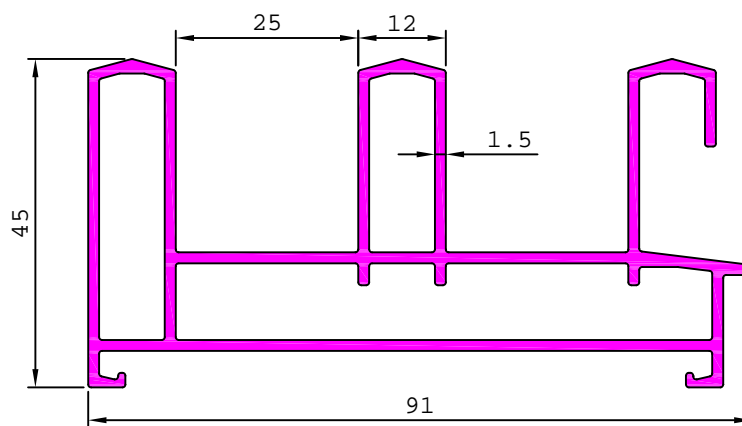
21166

1.569 kg/m



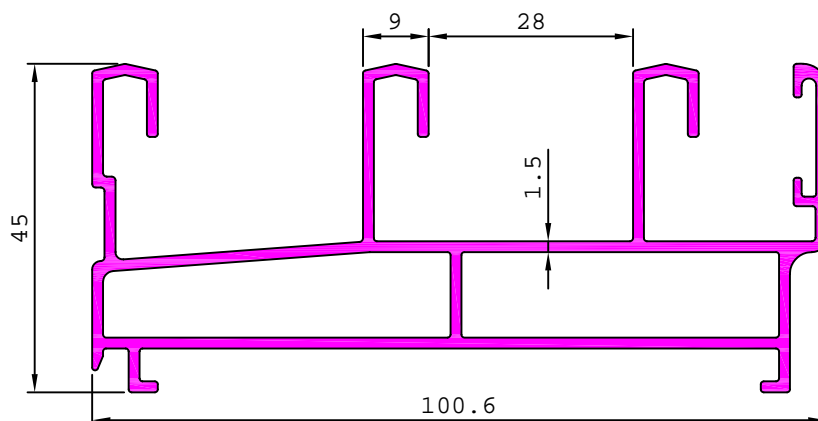
21401

1.591 kg/m



21242

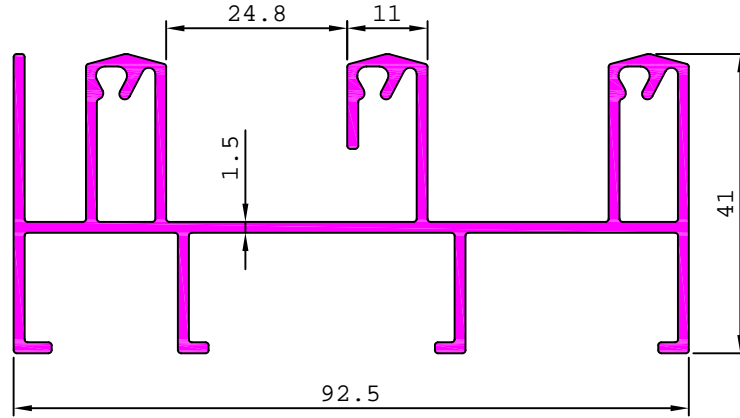
1.630 kg/m



# WINDOW SECTIONS (DELUXE SERIES)

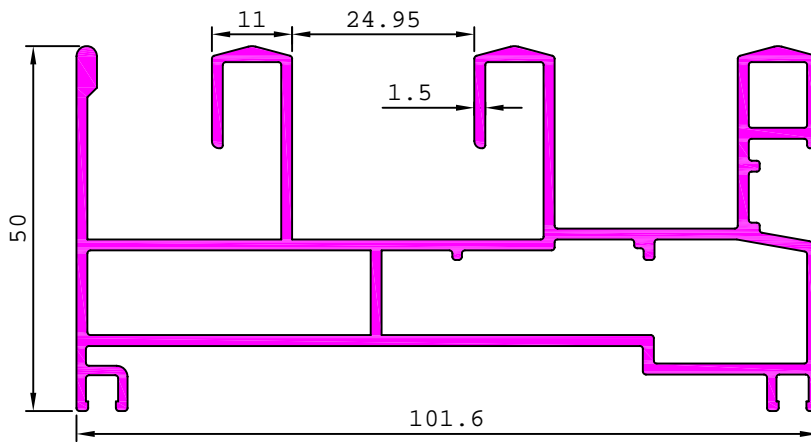
21164

1.434 kg/m



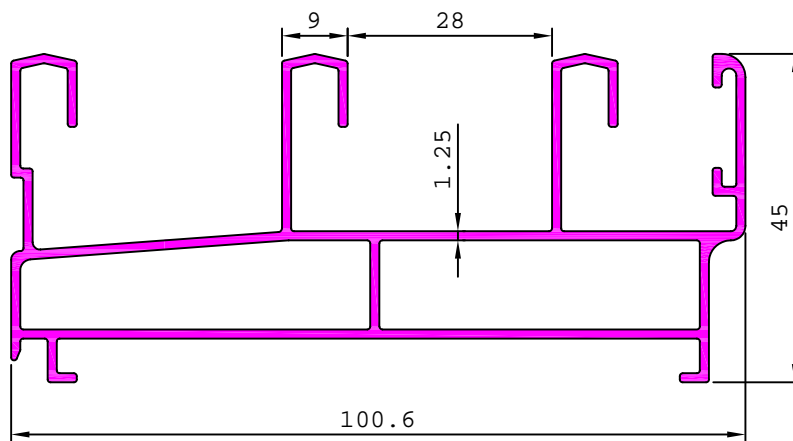
21369

1.860 kg/m



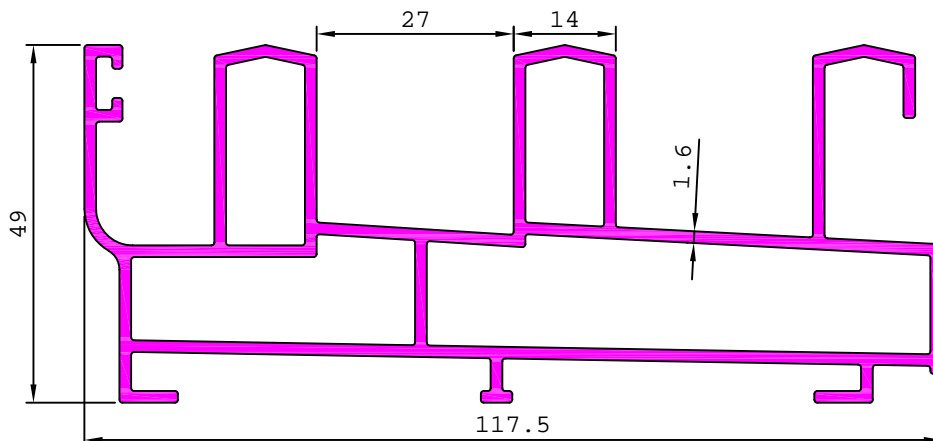
21716

1.385 kg/m



21569

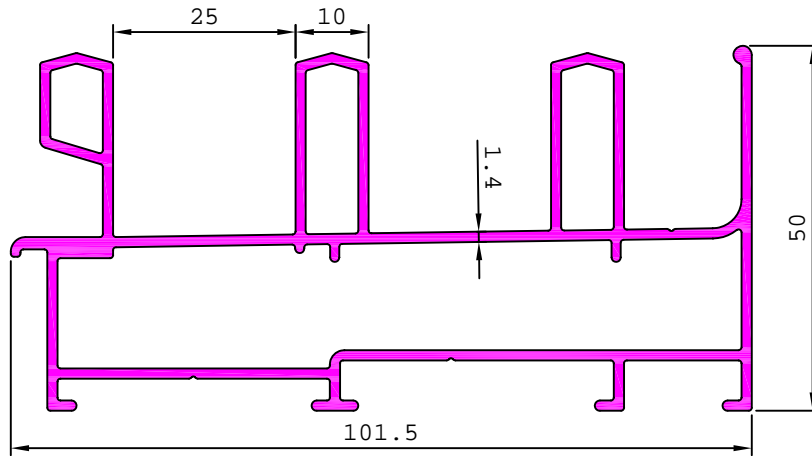
2.193 kg/m



**WINDOW SECTIONS (DELUXE SERIES)**

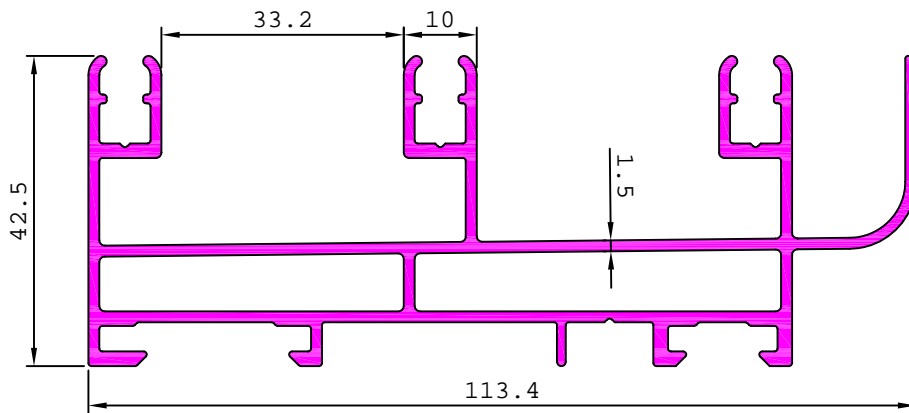
S5488

1.770 kg/m



S5533

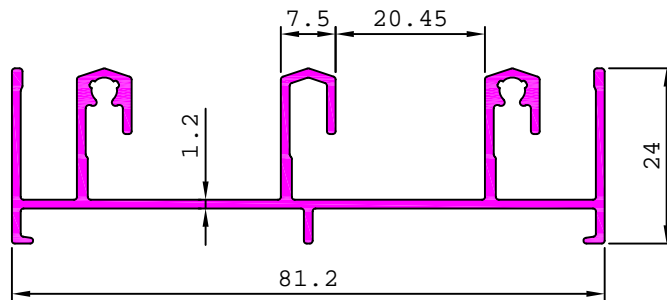
1.873 kg/m



MATCHING SECTION WITH S5535

S5462

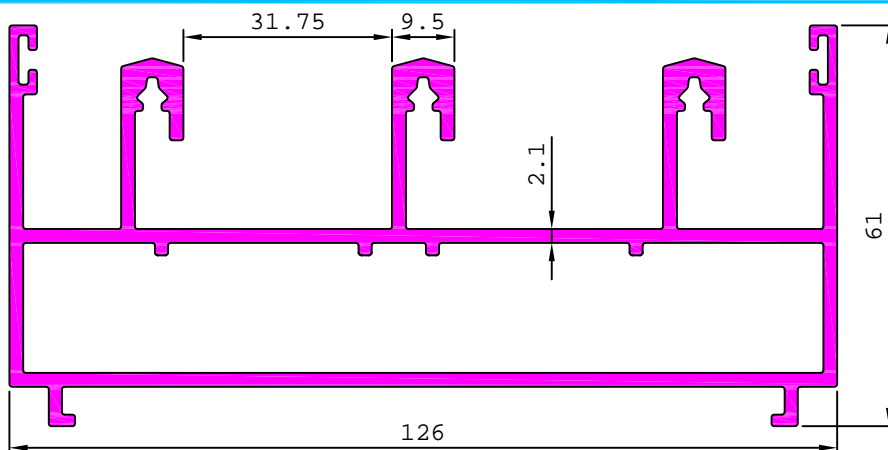
0.780 kg/m



MATCHING SECTION WITH S5457, S5458 & S5459

21824

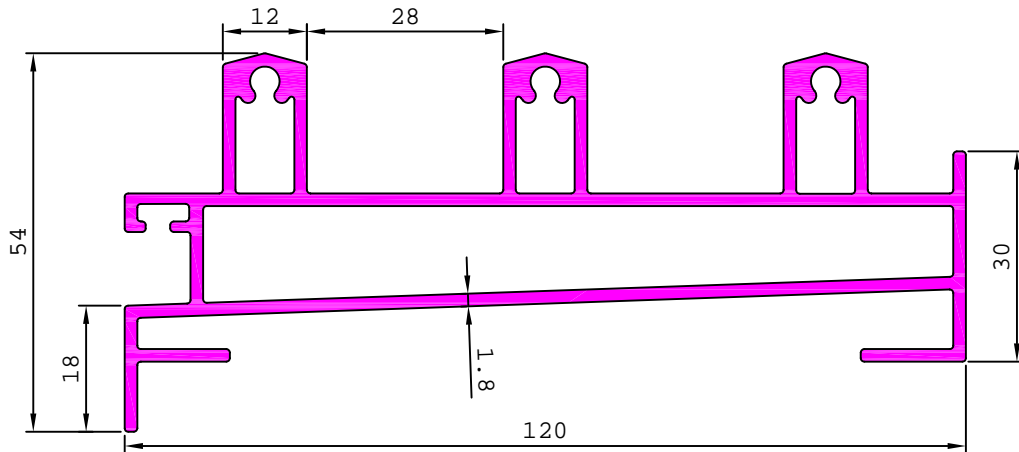
2.999 kg/m



WINDOW SECTIONS (DELUXE SERIES)

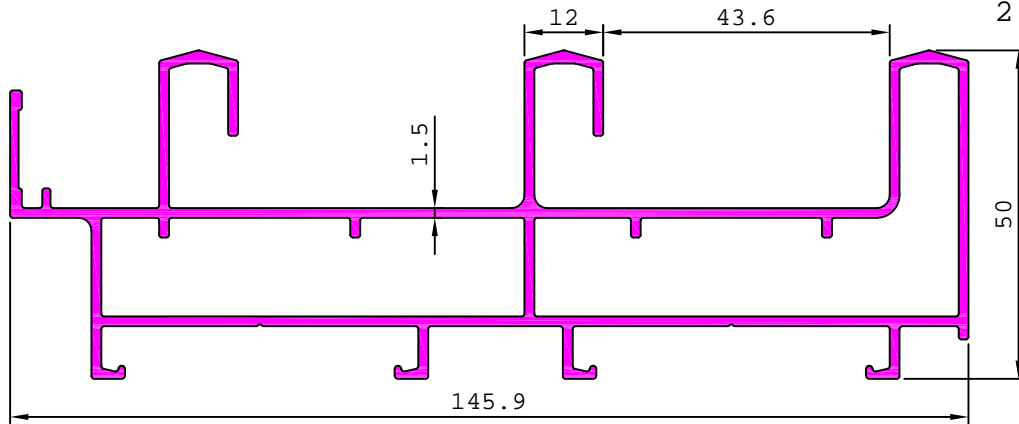
21190

2.429 kg/m



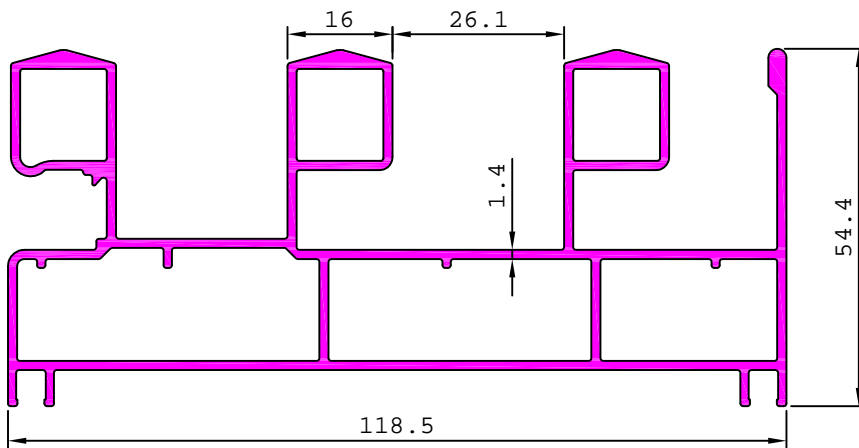
21428

2.183 kg/m



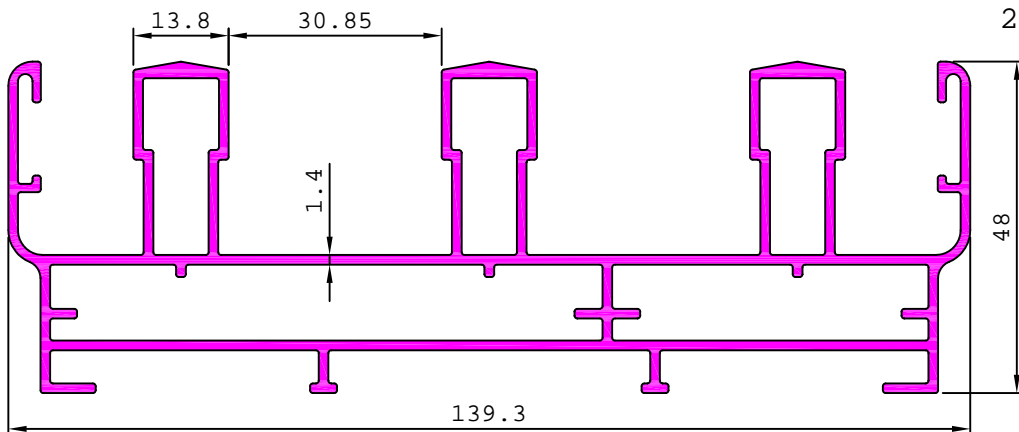
21360

2.254 kg/m



21480

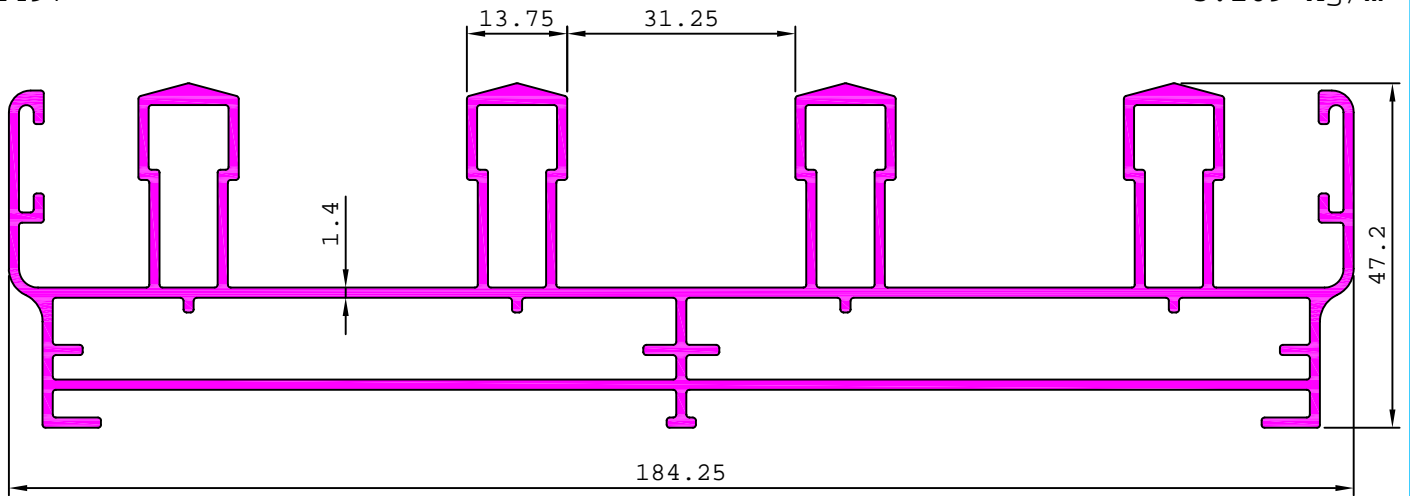
2.480 kg/m



**WINDOW SECTIONS (DELUXE SERIES)**

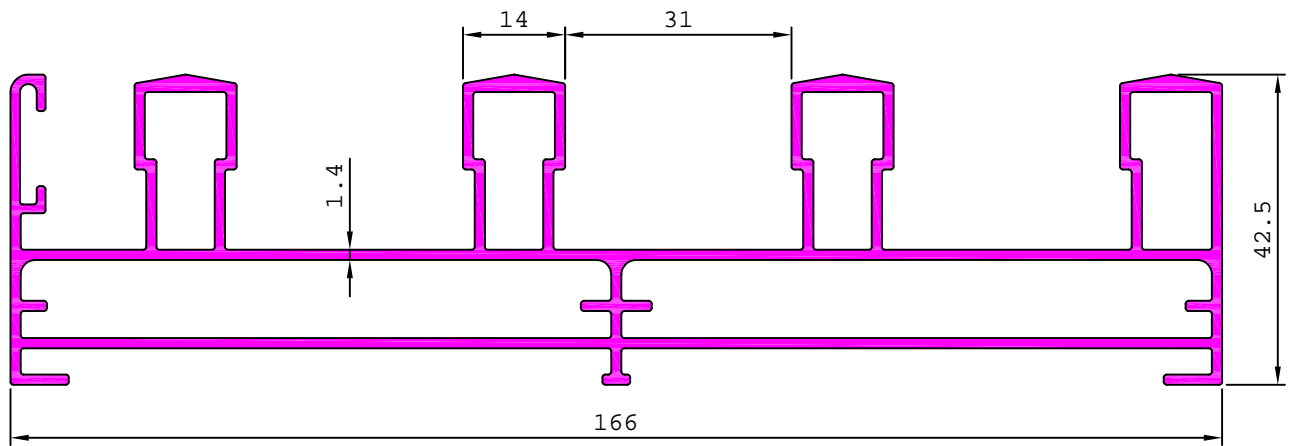
21497

3.109 kg/m



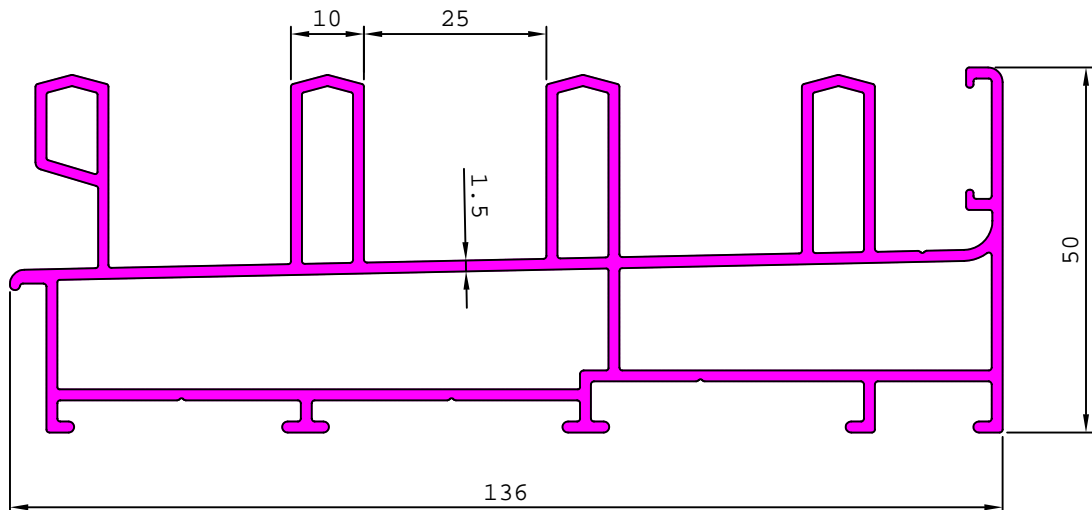
21791

2.655 kg/m



21488

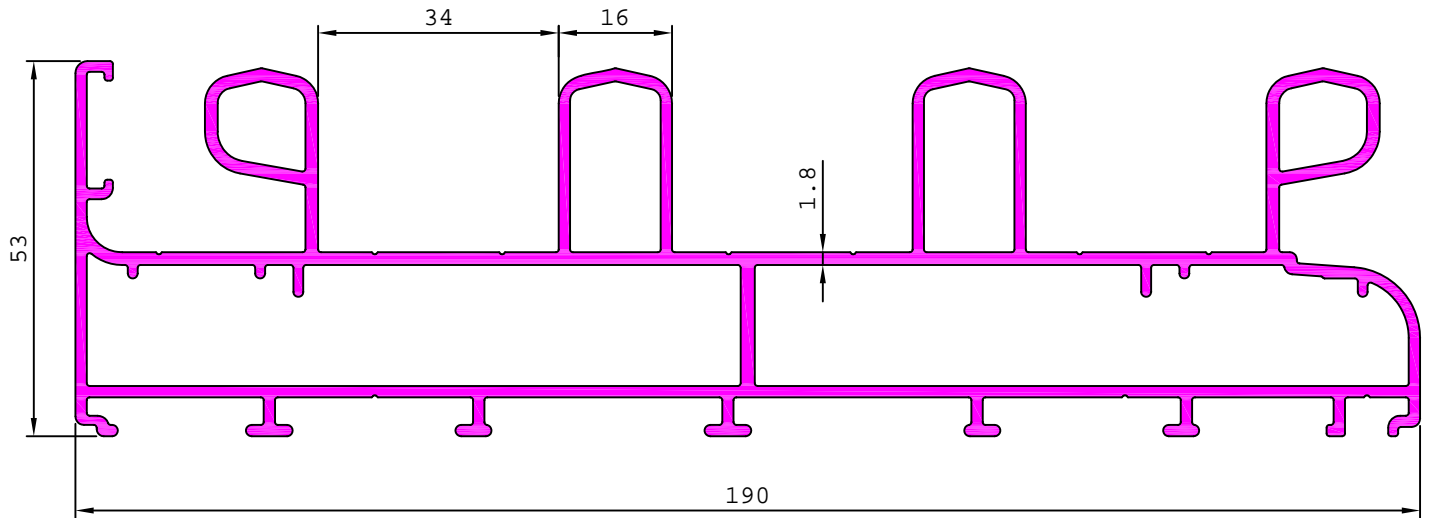
2.466 kg/m



## WINDOW SECTIONS (DELUXE SERIES)

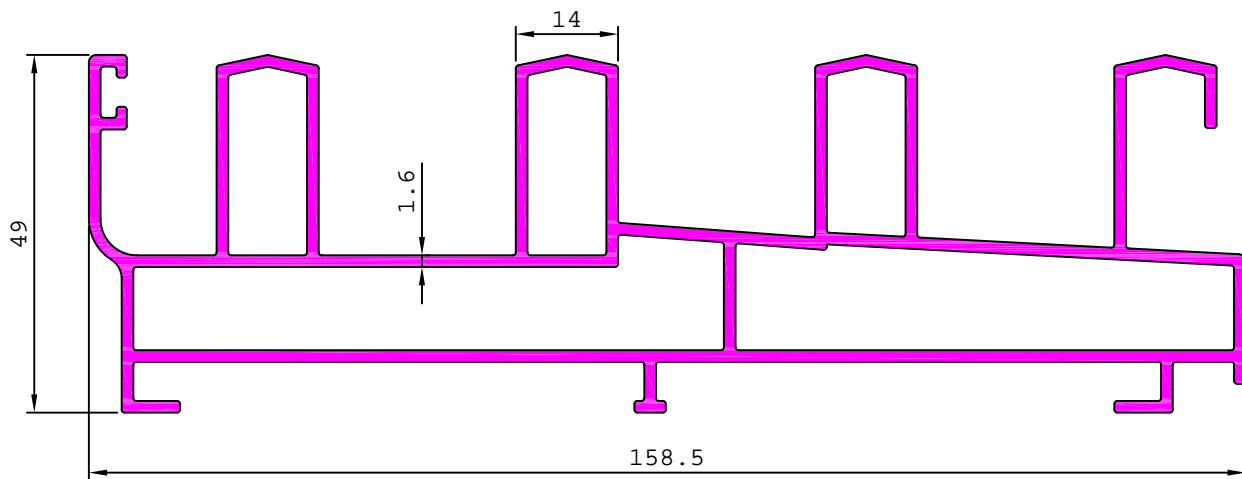
21498

3.582 kg/m



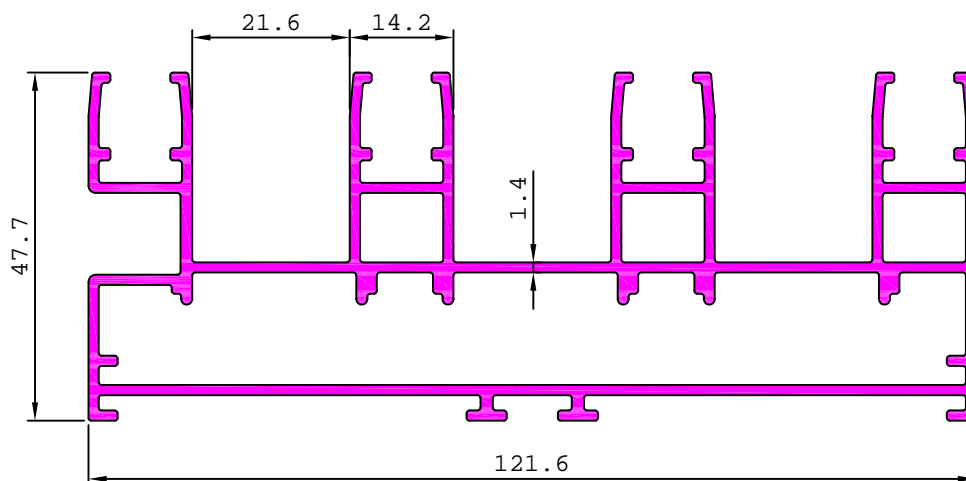
21558

2.829 kg/m



21644

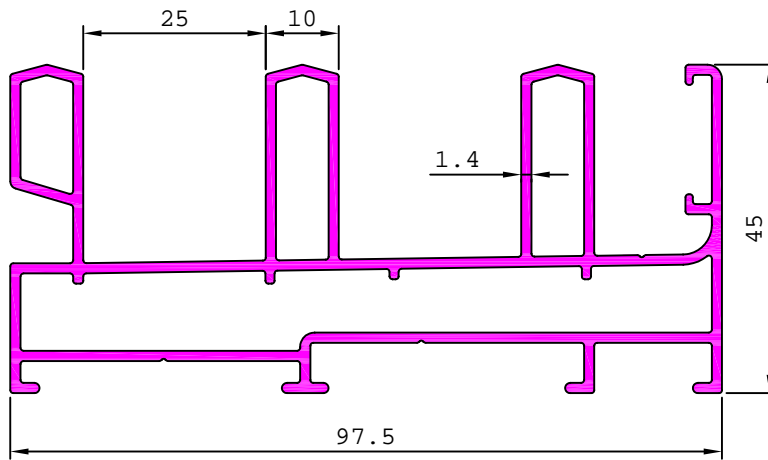
2.342 kg/m



WINDOW SECTIONS (DELUXE SERIES)

S6318

1.762 kg/m



S6424

2.099 kg/m

